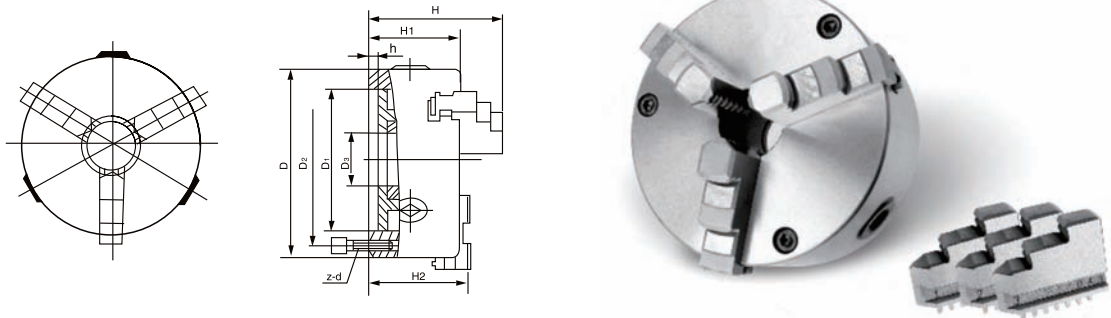


## SC11三爪自定心卡盤

### SC11 SERIES THREE-JAW SELF-CENTERING CHUCKS

三爪自定心卡盤適用於高精度的加工過程 Used when high accuracy of machining is needed.

另有其他短錐形式的卡盤，如A型、C型、D型 Other short taper mounting type like A/C/D is available.



標準配件: Standard accessories:

- ⊙ 一套正爪 1 set of outside hard solid jaws
- ⊙ 一套反爪 1 set of inside hard solid jaws
- ⊙ 一個扳手 1 wrench
- ⊙ 一套螺絲 1 set of mounting screws.

可選配件:

- ⊙ 一套滑座
- ⊙ 一套軟上爪
- ⊙ 一套分離爪 (滑座+軟上爪)

Optional accessories:

- 1 set of hard master jaws
- 1 set of top soft jaws
- 1 set of soft 2-piece jaws(hard master jaw + top soft jaw)

### 規格 / Specification

單位/UNIT:mm

型號 MODEL	卡盤尺寸 Chuck Size	D1	D2	D3	H	H1	h	z-d	最大扭矩Nm Max.torque	最高轉速 Max.RPM	淨重 N.W. Kg
SC11-80	80	55	66	16	66.5	50	4	3-M6	40	4000	1.9
SC11-100	100	72	84	22	74.5	55	3	3-M8	60	3500	3.2
SC11-125	125	95	108	30	84.5	58	4	3-M8	100	3000	5
SC11-130	130	100	115	30	86.5	60	5	3-M8	100	3000	5.6
SC11-160	160	130	142	45	94	65	5	3-M8	160	2500	8.8
SC11-165	165	130	145	45	94	65	5	3-M8	160	2500	9.5
SC11-190	190	155	172	55	105	75	5	3-M10	250	2000	13.8
SC11-200	200	165	180	65	109	75	5	3-M10	250	2000	15.5
SC11-230	230	190	210	70	120	80	6	3-M12	250	2000	16.5
SC11-240	240	195	215	70	120	80	8	3-M12	320	1600	26
SC11-250	250	206	226	80	120	80	5	3-M12	320	1600	27.5
SC11-315	315	260	285	100	147.5	90	6	3-M16	400	1200	47
SC11-320	320	270	290	100	147.5	90	6	3-M16	400	1200	47.5
SC11-325	325	272	296	100	147.5	90	6	3-M16	400	1200	49
SC11-380	380	325	350	135	155.7	98	6	3-M16	500	1000	68
SC11-400	400	340	368	130	173.5	100	6	3-M16	500	1000	73
SC11-500	500	440	465	210	202	115	6	6-M16	630	800	121
SC11-630	630	560	595	270	218	133.5	7	6-M16	800	800	200