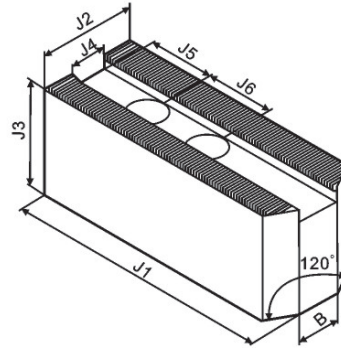
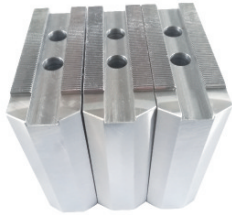


SC06 加高油壓軟爪(生爪)

SC06 EXTRA HEIGHT SOFT JAWS



齒距: 1.5mmx60°

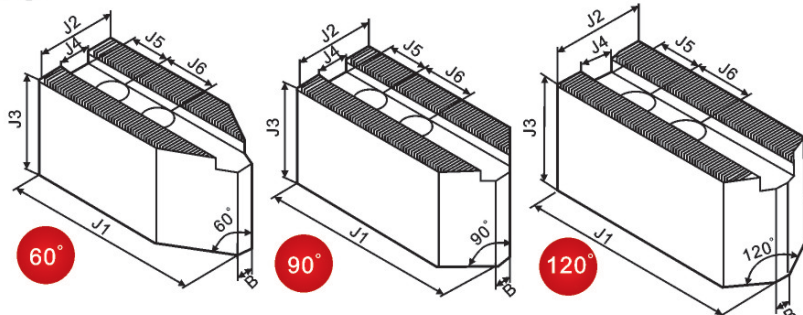
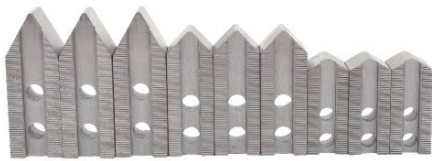
Serration Pitch: 1.5mmx60°

單位/UNIT:mm

型號 Model	重量/Weight kg/set	螺孔 Screw	尺寸/Size (mm)						
			J1	J2	J3	J4	J5	J6	B
SC06H50	2	M10	73	31	50	12	15	20	14
SC06H60	2.6				60				
SC06H70	3				70				
SC06H80	3.4				80				
SC06H90	3.8				90				
SC06H100	4.2				100				
SC06H110	4.6				110				
SC06H120	5.0				120				
SC06H130	5.5				130				
SC06H140	6.0				140				
SC06H150	6.5				150				
SC06H160	7.0				160				
SC06H170	7.5				170				
SC06H180	8.0				180				
SC06H190	8.5				190				
SC06H200	9.0				200				

SC06 尖角油壓軟爪(生爪)

SC06 POINTED SOFT JAWS



齒距: 1.5mmx60°

Serration Pitch: 1.5mmx60°

單位/UNIT:mm

型號 Model	重量/Weight kg/set	螺孔 Screw	尺寸/Size (mm)						
			J1	J2	J3	J4	J5	J6	B
SC06H36P	1.5	M10	73	31	36	12	10	20	3
SC06H50P	2				50				
SC06H60P	2.5				60				
SC06H70P	2.9				70				
SC06H80P	3.3				80				
SC06H90P	3.7				90				
SC06H100P	4				100				
SC06H110P	4.4				110				
SC06H120P	4.8				120				
SC06H130P	5.3				130				
SC06H140P	5.8				140				
SC06H150P	6.2				150				
SC06H160P	6.6				160				

注: 尖角油壓軟爪有60°、90°、120°可供選擇; 非標可定做。

Option for pointed soft jaws: 60/90/120 angle degree or other special requirements; Customized spec can be made.

