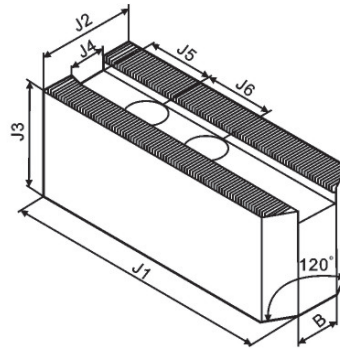
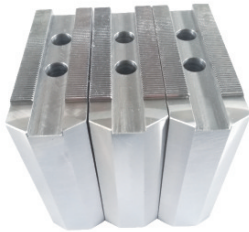


SC10加高油壓軟爪(生爪)

SC10 EXTRA HEIGHT SOFT JAWS



齒距: 1.5mmx60°

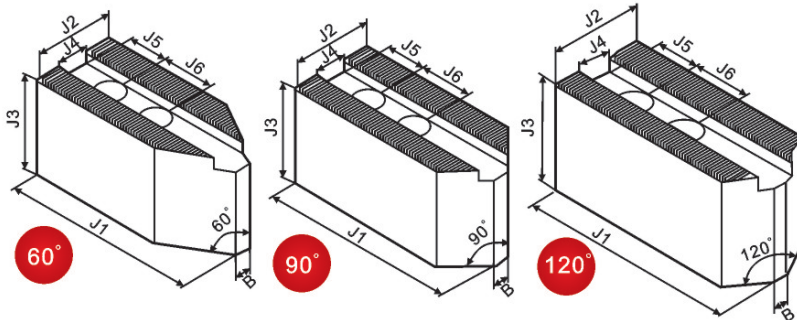
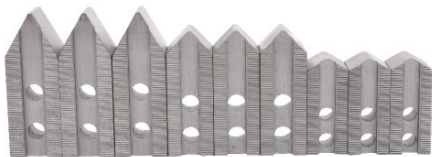
Serration Pitch: 1.5mmx60°

單位/UNIT:mm

型號 Model	重量/Weight kg/set	螺孔 Screw	尺寸/Size (mm)						
			J1	J2	J3	J4	J5	J6	B
SC10H50	4.2	M12	110	40	50	16	30	30	18
SC10H60	5.3				60				
SC10H70	6.1				70				
SC10H80	7.1				80				
SC10H90	8				90				
SC10H100	8.8				100				
SC10H110	9.5				110				
SC10H120	10.5				120				
SC10H130	11.1				130				
SC10H140	12.2				140				
SC10H150	13.0				150				
SC10H160	14.0				160				
SC10H170	14.8				170				
SC10H180	15.8				180				
SC10H190	16.6				190				
SC10H200	17.5				200				

SC10 尖角油壓軟爪(生爪)

SC10 POINTED SOFT JAWS



齒距: 1.5mmx60°

Serration Pitch: 1.5mmx60°

單位/UNIT:mm

型號 Model	重量/Weight kg/set	螺孔 Screw	尺寸/Size (mm)						
			J1	J2	J3	J4	J5	J6	B
SC10H42P	3.7	M12	110	40	42	16	20	30	3
SC10H50P	4.2				50				
SC10H60P	5.1				60				
SC10H70P	6.1				70				
SC10H80P	6.9				80				
SC10H90P	7.7				90				
SC10H100P	8.5				100				

注: 尖角油壓軟爪有60°、90°、120°可供選擇; 非標可定做。

Option for pointed soft jaws: 60/90/120 angle degree or other special requirements; Customized spec can be made.

