

HB4系列強力置爪

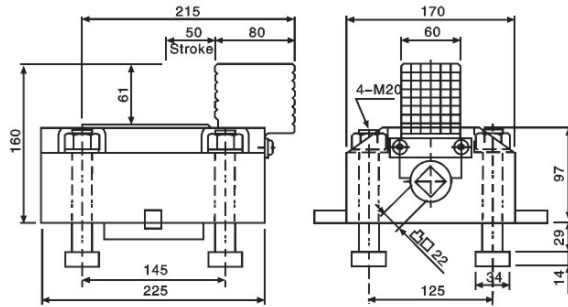
BORING MILL JAWS



- ◎ 1.適用於巨型車床、立式車床、模治具與工作物得夾持。
- ◎ 2.四個一組附T型螺栓。
- ◎ Clamping of workpiece for larger size lathe, vertical lathe, die set with jig.
- ◎ One set of 4-piece with T-bolt.

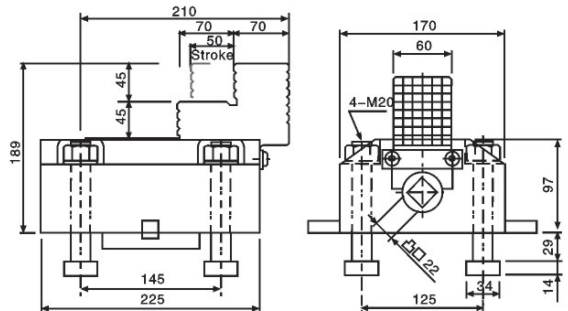
HB4-160 規格:

柱塞行程Piston stroke (mm)	50
夾持力 Clamping force (KN)	39.2
重量Weight (kg)	29



HB4-189 規格:

柱塞行程Piston stroke (mm)	50
夾持力 Clamping force (KN)	39.2
重量Weight (kg)	31



HB4-2P 規格:

爪行程Jaws stroke (mm)	50
最大夾持力Max Force(kN)	39.2
重量Weight(kg)	31
適合生爪 Matched Jaws	HE2486

